



The Generator

**Morris Minor Car Club of Victoria
August 2024 – Volume 49 – Number 8**



The combined Christmas in July Run to St Anne's Winery in Myrning was a resounding success – we even made the Moorabool News Newspaper (see further on in the Generator)

Thank you to Katie Hamilton for this image of Wayne Cunningham, who organised the event.

The MMCCV is a member of the AOMC. ARN. A0001386N ABN 47849670294

Send all correspondence to: PO Box 354, Balwyn Vic. 3103

Web Address: <http://www.morrisminorvic.org.au>

Email secretary@morrisminorvic.org.au

Page 1 of 20

Club meetings are held on the second Thursday of each month.

NEXT MEETING:

Thursday 8th August 2024

Meeting to commence at 8:00 pm. Our President, Stewart Carr will send a Zoom link a few days prior to the meeting for those unable to or not wishing to attend in person.

at the Horrie Watson Pavilion Deepdene Park, Whitehorse Road, Deepdene 3103
on the traditional lands of the Wurundjeri Woi-wurrung people
(Melways Map 46 Ref. A8)

Club Committee Members 2024/2025

President	Stewart Carr	president@morrismminorvic.org.au
Vice President	Russell Hatton	vicepresident@morrismminorvic.org.au
Secretary	Ed James	secretary@morrismminorvic.org.au
Treasurer	Katie Hamilton	treasurer@morrismminorvic.org.au
Club Captain	Mark Bosley	clubcaptain@morrismminorvic.org.au
Membership Officer	Jim Gourlay	membership@morrismminorvic.org.au
Editor	Barbara Went	editor@morrismminorvic.org.au
Regalia Sales	Alan Todd	regalia@morrismminorvic.org.au
Webmaster	David Cain	webmaster@morrismminorvic.org.au
Database Manager	John Druery	johnann@iinet.net.au
CPS Registrar	Geoff Shepherd	morrismminorclubplates@gmail.com
Deputy CPS signatory	Neil Cheney	
Facebook Administrator	Graham Dines	grahamdines22@gmail.com

General Support Volunteers

Ann Druery; Marcus Ball; Percy Scicluna; Cheryl Scicluna; Sue Cheney.

Thanks to everyone who helps with the various chores necessary for the successful running of the club.

Members wishing to view THE GENERATOR on the Club Website, please use the following...

Web Address: www.morrismminorvic.org.au

Username: mmccv

The Generator will be uploaded to the Website within a week or 10 days of the electronic version is made available to members.

DISCLAIMER

This publication contains general information which does not necessarily reflect the views of the Club, its Committee or Editor and should not be relied upon without specific advice from a qualified professional.

The Morris Minor Car Club of Victoria Inc. expressly disclaims liability for anything done or omitted to be done by any person as a consequence of the contents of this publication.

The Club and its Officers shall not be responsible for any transactions begun as a result of information published herein nor any misrepresentation made by an advertiser. Anyone wishing to reprint an article can do so provided the source is acknowledged

BANK ACCOUNT DETAILS FOR ELECTRONIC FUNDS TRANSFER

BSB No : 633 000

ACCOUNT No : 1469 35168

ACCOUNT NAME : Morris Minor Car Club of Victoria Inc.

In the reference field, please quote your Membership Number and what the payment is for.

CLUB PERMIT SCHEME

Notice to all Club Permit Holders.

For new applications and renewals please scan / email or mail your forms to:

Geoffrey Shepherd

Email: morrisminorclubplates@gmail.com

Mail: PO Box 1112 South Melbourne 3205

Phone: 0419 137 711

FOR QUICK TURNAROUND OF APPLICATIONS AND RENEWALS PLEASE EMAIL AND SCAN DOCUMENTS WHERE POSSIBLE

It is the Club Member's responsibility to send renewals and applications in a timely manner.

New Permits (Morris Minor and non-Morris Minor Vehicles and Motorcycles)

You must be either a life member or financial (paid up) member before you can apply for a new permit.

An application fee of \$20 is required. Payment can be made via cash or cheque to the MMCCV Secretary or a Committee member at MMCCV monthly meetings. There is no 6-month membership qualification time for any Morris Minor vehicle for new members.

When applying for a permit for a:

Morris Minor

Email or mail a copy of the vehicles current RWC, proof of ownership and the following **(2) VicRoads forms** 1. Club Permit Application form 2. Vehicle Eligibility and Standards Declaration for Club Permit Scheme Vehicle form.

Non-Morris Minor Vehicles and Motorcycles

Applications must be accompanied by all the above plus proof of current registration of a Morris Minor vehicle held in the name of the applicant. Members wanting to register a non-Morris Minor or motorcycle must have been a member of our Club for at least 6 months.

All Morris Minor and Non-Morris Minor vehicle applications must include (6) recent photos:

- | | | |
|--|---------------------------|--------------------------|
| 1. Vehicle front | 2. Vehicle rear | 3. Vehicle driver's side |
| 4. Vehicle driving position
(side on, driver's door open) | 5. Chassis no or ID plate | 6. Vehicle engine bay |

Motorcycle photos should include 1,2 & 5 (above) plus LHS RHS views and speedo.

Mailed photos should be signed and dated on back. Electronic photos are authenticated by email date.

You **must** notify the CPS Officer (Geoff Shepherd) of your red plate permit number within 48 hours of VicRoads issue via email to morrisminorclubplates@gmail.com or phone 0419 137 711. Failure to notify the CPS Officer of your club permit number can have serious consequences for the Club and may cause the Club's permit scheme to be suspended by VicRoads for failure to keep up to date records.

Renewals

Remember to sign your renewal application. If your application is not signed it will be returned to you. No photos are required for renewal applications. Please email or, if mailing, send a stamped self-addressed envelope with VicRoads forms. No renewal reminders will be issued to permit holders. Please do not request the CPS Registrar mail your renewal and payment to VicRoads

Rules Regarding Club CPS Responsibilities

A vehicle is not eligible for a Club Permit if any of the following conditions exist:

The member has ceased to be financial.

The vehicle is being used for commercial gain.

The vehicle is unroadworthy.

The vehicle is sold with logbook and plates.

The vehicle is sold to a friend so that a new logbook might be obtained.

Further information on the Club Permit Scheme (CPS) can be found on the VicRoads website.



Thorpe

56 Alex Avenue Moorabbin Victoria 3189 Australia
email: morrisminoraus@optusnet.com.au
Tel: 0432 619 186

KNOX AUTO CARPETS MOULDED CAR CARPETS

Free Call : **1800 035 390** Phone : (03) **9761 7198**

8 ROYAN PLACE, BAYSWATER NORTH 3153
(Melways Ref: 51 E9)

 www.knoxautocarpets.com.au

 info@knoxautocarpets.com.au

FULL RANGE OF MOULDED CARPETS TO SUIT
MOST MAKES & MODELS

Minor Parts think Minor Magic

1000's
of new &
used parts
in stock

Minor Magic was created
out of a passion for all
things Morris Minor.

We believe in offering quality parts at the best possible prices.
I am a licenced mechanic, and only sell products that are suitable
for your pride and joy. We have an excellent range of new and
used parts for restorations. Overnight delivery – in most cases.



MINOR MAGIC
Suppliers of new and used parts

Darren Goff 02 4334 4123 sales@minormagic.com.au

Order with our easy user-friendly website
minormagic.com.au



PRESIDENT'S REPORT AUGUST 2024



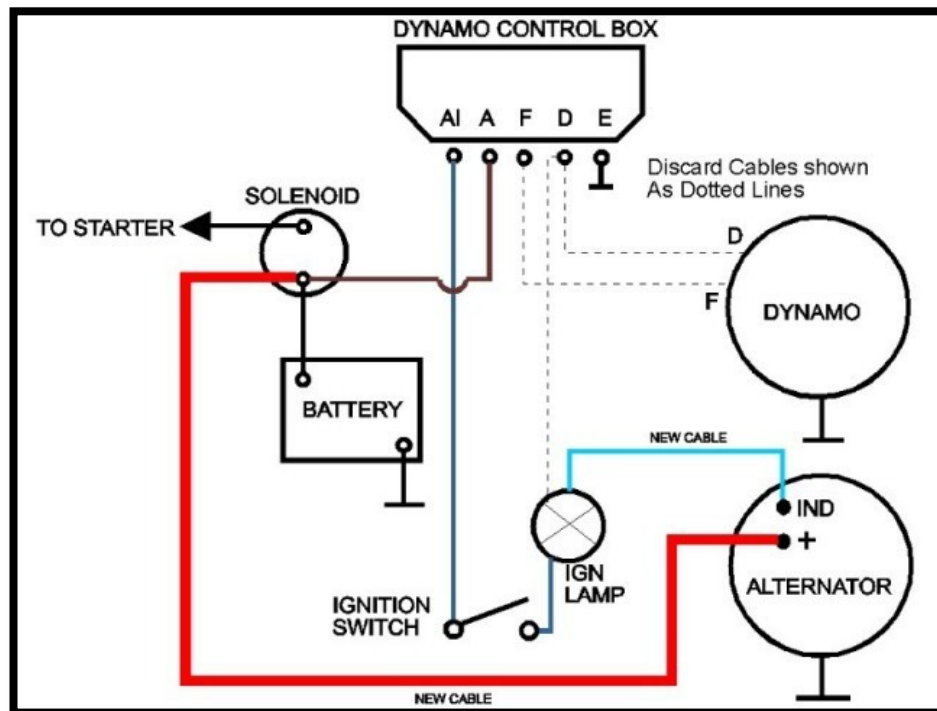
Hi Everyone,

Winter is certainly upon us, but it did not affect the July run to St Anne's winery. With approximately 90 members from 5 Morris clubs, it was a great day out. Thankyou Wayne Cunningham for organising this great Christmas in July event. I travelled just under 400km for the day in "Bess" our 1960 2 door saloon. As always, she ran like a dream.

This month we are going to the Fox car collection at Docklands on the 24th of August. Further details in the coming events section of the Generator.

Braidy Davies has been working hard on locking in a location for this year's DOMM (Day Of the Morris Minor). We have been lucky enough to secure Pipeworks Market for the Event. Hope to see everyone there on the 20th of October 2024.

See you at the meeting.



This is a question I get asked from time to time so I thought I would share it with you.
Here is the wiring diagram to wire in an alternator on your Morris Minor.

Keep on Morrying
Stewart Carr

VICE PRESIDENT'S REPORT AUGUST 2024



As mentioned at the July general meeting, the committee was looking into the purchase of a Defibrillator. Earlier this year, we had Peter Rayson, a heart attack survivor as a guest speaker. Peter's presentation titled "Dead for 26 Minutes but still kicking" was a real eye opener. As a result of Peter's talk, we realised that as a club, we had no access to a Defibrillator at our meeting venue. After discussions, the committee decided that having our own Defibrillator at the hall and also on club runs would be a good investment. I'm happy to report that the Defibrillator chosen by the committee has arrived. We are advised that the unit can be used by anyone without specific training as it has voice instructions for setup and on what action is required. It also gives feedback on CPR compression rates and depth. It goes without saying that we hope we never need to use it but it's there if needed.



Russell Hatton
Vice President



MMCCV Marketplace For all your CLUB REGALIA

Want to buy some gear? Contact Alan Todd
Mobile 0419 505 200 or email
regalia@morrisminorvic.org.au



Rain Coats – red, black and blue \$22.00 each



T Shirts \$25.00 each



T Shirt - \$25.00



Sleeveless Vest – price available from Alan Todd



Polo Shirt \$35 order from Alan Todd

CLUB CAPTAIN'S REPORT:



Hello all.

I will be absent from the club from mid-May until the end of July.

The committee is busy organising events but as always, we need input from the members to make the club run successfully. If you have any suggestions, please contact any member of the committee or me.

Mark Bosley Mobile 0407 418 115 or clubcaptain@morrisminorvic.org.au

Upcoming Events

August Saturday 24th

Fox Car Collection- Melbourne CBD.

This will be a Saturday run August 24. Meet for breakfast 09:00- 11:00 Breakfast and viewing at Dutton Garage Cafeteria by Tickled Pink 41 Madden Grove St, Richmond. Travel to 11:00 – 1:00 pm Fox Collection Classic Car Museum - 749-755 Collins Street Docklands (free parking on site)

Entry \$9.50

Exact detail and meeting place to follow

September

Car trivia run and footy finals best dressed. Wear your team colours.

October or November 2024

Morrykhana_ - details to befinalised.

October 20th:

Day of the Morris Minor – Pipeworks Market, 5 Dunstans Ct, Thomastown VIC 3074

November

Cup Day

December Thursday 5th

Christmas Dinner

Weekend Run

Is anyone interested in a weekend run? Not too far from Melbourne but giving us an opportunity to spend extended time together and driving? Please let me know if you have any ideas.

Ad Hoc Midweek Runs / Coffee mornings

They can be as simple as nominating a delightful place for a coffee and see who comes along or a run to a location or event.

Set a place, date and time send Barbara Went an email a few days beforehand so she can get an email out editor@morrisminorvic.org.au and send an email to me clubcaptain@morrisminorvic.org.au and I will post a message on Facebook page and assist with any organization and support.

This is only a sample of our plans. Any suggestions for a run or outings please contact me Mark Bosley 0407 418 115 or clubcaptain@morrisminorvic.org.au
[Or any other member of the committee](#)

TREASURER'S REPORT



MMCCV Treasurer's Report June 2024



01/06/24-30/06/24

MMCCV Cheque A/C

	C/M	YTD
Receipts		
Club Raffle	\$ 71.00	\$170.00
Events	\$ -	\$0.00
Membership 24/25	\$ 125.00	\$1,525.00
Membership 25/26	\$ -	\$0.00
CPS / AOMC Book Sales	\$ -	\$0.00
Regalia Sales	\$ -	\$85.00
Badges	\$ -	\$0.00
Donation	\$ -	\$0.00
Calendar	\$ -	\$0.00
Interest from TD	\$ 415.46	\$415.46
Principle from TD	\$ 3,733.38	\$3,733.38
Total Income	\$ 4,344.84	\$5,928.84

Expenditure

"Generator" costs	\$ 55.00	\$86.20
Regalia	\$ -	\$0.00
Postage	\$ -	\$15.00
Badges	\$ -	\$252.00
Suppers	\$ 34.90	\$98.60
AOMC Handbooks	\$ -	\$0.00
Trophies	\$ -	\$0.00
Auditor Fee	\$ 150.00	\$150.00
Stationary	\$ -	\$0.00
Refunds	\$ -	\$0.00
BMC Experience subs	\$ -	\$0.00
CAV annual fee	\$ -	\$0.00
Rent	\$ -	\$0.00
AOMC	\$ -	\$0.00
Events	\$ -	\$0.00
Subscriptions/software	\$ 69.95	\$114.95
Calendars	\$ -	\$0.00
Insurance	\$ -	\$0.00
Presentations/Prizes	\$ -	\$0.00
PO Box Rental	\$ -	\$0.00
Equipment	\$ -	\$0.00
Total Expenditure	\$ 309.85	\$716.75

Net Income/Deficit \$4,034.99 \$5,212.09

Unpresented Cheques

Nil

MMCCV Cheque A/C

Balance as at 31/05/2024	\$5,502.29
Net Income/Deficit	\$4,034.99
Balance as at 30/06/2024	\$9,537.28

MMCCV Term Deposit A/C

Balance as at 31/05/2024	\$8,733.38
Interest	\$415.46
	<u>\$9,148.84</u>
Transfer to Chq (\$415.46 + \$3,733.38)	\$4,148.84
Balance as at 30/06/2024	\$5,000.00

MMCCV ACCOUNTS

Cheque Account	\$9,537.28
Term Deposit	\$5,000.00
Balance as at 30/06/2024	<u>\$14,537.28</u>

MEMBERSHIP REPORT AUGUST 2024

Membership statistics are as follows:

172 Financial members including 7 Life members.

No new member this month:

Club Name Badges:

These are available for \$15 per person, contact me to order a badge. Come to a meeting wearing your badge and be in the running to choose a prize from the raffle table.

To any member of the Club who is unwell or recuperating, we pass on our warmest wishes

Jim Gourlay
Membership Officer

GENERAL MEETING MINUTES OF THE MORRIS MINOR CAR CLUB OF VICTORIA INC.

HELD AT THE HORRIE WATSON HALL, DEEPDENE AND ALSO VIA ZOOM ON
THURSDAY 11TH JULY 2024

The President welcomed the members present and online and opened the meeting at 8.07pm.

Committee Members Present: President: Stewart Carr; Vice President: Russell Hatton;
Secretary: Ed James; Membership: Jim Gourlay; and Editor: Barb Went.

Attendance: Approximately 21 members were present and online.

Apologies: Mark Bosley, Katie Hamilton, Geoff Shepherd, Alan Todd, John & Ann Druery, Percy and Cheryl Scicluna, Ross & Ann Carr, Philip Plumbe and Catriona Bruce.

Visitors and New Members: Hans Petersen and Marita Bennington from King Island.

Acceptance of Minutes: Minutes of the previous meeting held 13th June 2024 accepted on the motion of Michael Dobson and seconded by Trevor Sarbach.

President's Report: As per the Generator. Stewart gave an update on the ongoing repairs to Braidy's engine.

Vice President's Report: Russell gave a rundown of the successful Movie day at the Balwyn Cinema which was attended by 9 members. Following a talk given by guest speaker Peter Rayson about his heart attack, the club has decided to purchase its own defibrillator. A unit has been chosen and will be purchased very soon.

Secretary's Report: Ed advised that various items of information have been received by email and forwarded to appropriate office bearers. Some enquiries received about the sale of Morris Minors and/or parts together with technical requests. Notice received of the opening in Maffra of the Gippsland Vehicle Collection's 20th Century Sports Cars Display commencing on 14th July.

Treasurer's Report: Katie absent but Stewart advised we have a current operating balance of \$9,557.28. With our term deposit of \$5,000.00 we have a combined balance of our accounts of \$14,557.28.

Membership Officer's Report: As per the Generator we currently have 171 members including 7 Life members. Jim presented Mike and Veronica Dobson with 15 year membership badges.

Club Captain's Report: Nil as Mark absent but future runs as per the Generator. We have runs and events organised until the end of the year. Our next event is St Anne's Winery followed next month with the Fox Museum. We are still looking for ideas and suggestions for future runs.

CPS Officer's Report: Nil as Geoff absent. Renewals are to be sent to the post office box as normal.

Editor's Report: Barb is after any photos members have. She is to do another calendar at the end of the year with a run of 25 calendars being made.

Regalia: Nil as Alan absent.

AOMC Report: Stewart is to attend their next seminar on Communications and Marketing. Their next meeting in August is in Shepparton.

GENERAL BUSINESS

1. The Club Person of the Year was awarded to Barb Went;
2. We are still looking for a Secretary, Webmaster and a Librarian.

For Sale, Wants & Needs, Tips & Hints:

In general discussion on the use of unleaded fuel in unmodified Morris Minors, it was suggested that the use of 91 octane unleaded fuel rather than 98 octane fuel is acceptable as long as a fuel additive is used. 91 octane fuel is generally fresher in a service station as more of it is used. The previous petrol ratings of Standard was for 81 to 91 octane petrol while Super was a 98 octane petrol.

Hans discussed a problem he has had fitting a split windscreen. Russell advised it was a specialised task and suggested a company called Classic Car Windscreens. He said you need to use kerosene as a lubricant on the windscreen rubber. Leigh Wallace advised that he has used a company called Windscreen Deals in Heidelberg Heights.

Ed discussed a problem he had with his CPS registration with VicRoads. He had paid his registration at a VicRoads office but about a month later on checking found it was still listed as un-renewed. He returned to the VicRoads office with his receipt to resolve the matter. He was told that they have 2 systems for administering the Club Permit Scheme and that it was renewed in one system but not the other. This was rectified but if not picked up Ed would not have received a renewal next year and if checked by the police they would have his vehicle listed as unregistered. Hence it is important to check say with your own VicRoads account that your registration has actually been noted as renewed.

Leigh Wallace advised that for his 1961 Morrie he was able to get from the AOMC all of the VicRoads old registration details for his vehicle. This was possible as all of the details for most of the older registered vehicles within Victoria previously held by VicRoads have been transferred to the AOMC. To obtain this information, you need the registration number if known, and/or the engine or chassis numbers. The cost to do this was about \$150.

There being no further business the meeting closed at 9.00pm followed by the drawing of the raffle.

Ed James
Secretary

RUN REPORT:

Run Report – St Anne’s Winery, Myrning – Sunday 21st July



The winter sun came out for our fabulous run to St Anne’s winery!! We had over 80 members from 6 different clubs including 40 of our very own MMCCV members. Many thanks to Wayne Cunningham for coordinating the Ballarat Morris Minor Car Club, Central Vic Morris Minor Car Club, Geelong Morris Minor Club, Morris Car Club of Victoria and the Ballarat Morris Car Club to make the mid-year lunch a great success. We day began with a coffee catch-up at Rockbank BP service station. The convoy then took off over the undulating hills of the Western Highway to Myrning which is a small town nestled amongst the picturesque Pentland Hills some 15kms west of Bacchus Marsh. Upon arriving at St Anne’s winery members caught up with old friends from all over Victoria and wandered passed more than 25 Morrie’s.

Lunch was a festive occasion with Santa arriving to hand out treats to all (Many thanks Graham Dines!) The wood fired pizzas were well worth the wait and many enjoyed a glass of St Anne’s wine to wash it down.

After lunch members were able to meander around the beautiful country gardens or inspect the magnificent historic bluestone cellar door which is built from remnants of Ballarat’s original jail. Many enjoyed a free wine tasting and I may have seen quite a few bags making their way home in Morries!! St Annes Winery is a family-owned business which offers a large range of wine, fortified wines and liqueurs. The historic barrel room was also well worth a look! If you missed the event, a trip to St Anne’s is a fun day out.

A big thankyou again to Wayne Cunningham for organizing such a successful event. We even made the Moorabool news if you’d like to take a peek.

<https://timesnewsgroup.com.au/themooraboolnews/print-editions/moorabool-news-july-26/>

Attendees: Stewart Carr, Darren & Tracey Keast, Bob & Brenda Stork, Katie Hamilton, Ann & John Druery, Graham & Lesley Dines, Mal & Margaret Baker, Rob & Trish Smith, Graham & Rosalie Harper, Geoff & Cheryl Nougher, Craig Warner, Lindsay Wilson, Tahnee Trenton and Lucas Wilson, Simon & Tessa Torok, Kate Hutson, Russell & Susan Hatton, Craig Ellis & Craig Hollands, Braidy Davies & Peter Walker, Trevor and Dianne Sarbach, Henry and Allan Edwards and Allan’s wife, Neil & Sue Cheney and Wayne Cunningham.

Thank you to Katie Hamilton for such an interesting Run Report.

Morris Minors meet at Myrniong



Ballarat Morris Minor Club's Wayne Cunningham showed off his 1962 Morris Minor panel van at the car meet event.

TIM BOTTAMS

MEMBERS of six Morris Minor car clubs from around the state met up at St Anne's Winery at Myrniong on Sunday to show off their cherished vehicles.

The event saw about 80 members between the Morris Minor Car Club of Victoria, as well as from the Ballarat, Bendigo, Central Victorian, and Geelong branches.

Event organiser, Ballarat Morris Minor Club's Wayne Cunningham, displayed his 1962 Morris Minor panel van and said the event was a great outing between the communities.

"This is the first time we've had all six clubs in the one spot," he said.

"A couple years ago, we had this in Meredith with about 60 there. Last year we had 40. These 80 people are probably the best we've had for any event.

"We're hoping with numbers like this, we can keep the event rolling into the future. The more we put ourselves on show the more likely we are to get new members or more people interested."

Winery attendees browsed the range of classic cars on display while the meetup, which served as a Christmas in July, saw a visit from Santa following lunch.

Morris Minor Car Club of Victoria treasurer Katie Hamilton said St Anne's Winery proved an ideal location to host the event.

"We're very happy with the turnout," she said. "We've probably got about 35 of our own members. We tend to have about eight to 10 vehicles with each turnout.

"This is our first time at St Anne's and it's quite a nice venue to host this with a nice view and beautiful country."

Photos: TIM BOTTAMS



Morris Minor Car Club of Victoria treasurer Katie Hamilton with her 1957 vehicle imported from the United Kingdom.



Vehicles from the Geelong Morris Minor and BMC Car Club made an appearance.



Debbie Whitehead and her 1967 wood panel Morris Minor.



Geelong Morris Minor and BMC Car Club and Morris Minor Car Club of Victoria's Graham Dines with his 1959 baby blue car.

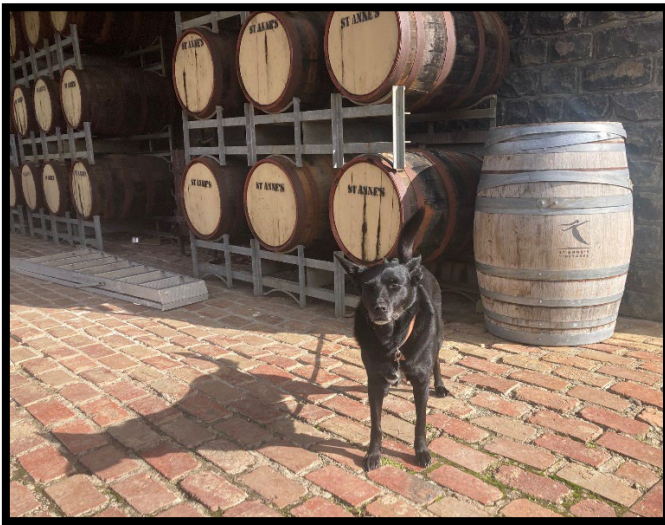


Tony Cronin with his 1970 Traveller.

<https://timesnewsgroup.com.au/themooraboolnews/print-editions/moorabool-news-july-26/>

This article is reproduced with the consent of the Times News Groups and The Moorabool News.

It was clear that absolutely everyone had a fabulous day!
Thank you to Katie Hamilton, Russell Hatton, Craig Ellis and for such beautiful images.








EVENTS CALENDAR 2024

Club Captain Mark Bosley 0407 418 115 or clubcaptain@morrismminorvic.org.au

Date:	Event:	Details:
August 2024	The Fox Collection 	Meet for breakfast 09:00- 11:00 Breakfast and viewing at Dutton Garage Cafeteria by Tickled Pink 41 Madden Grove St, Richmond. Travel to 11:00 – 1:00 pm Fox Collection Classic Car Museum - 749-755 Collins Street Docklands (free parking on site)
September 2024	Mystery Run – Wear your Footy Club colours	Details to follow
October or November 2024	Morrykhana 	Details to follow
October 20 th 2024	Day of the Morris Minor 	Pipeworks Market 5 Dunstans Ct, Thomastown VIC 3074
November 2024	Cup Day Run 	Details to follow
Thursday 5 th December 2024	Christmas Function	Details to follow
11 th to 14 th April 2025	National Rally – Perth, Western Australia	https://morriscarclubofwa.wordpress.com/nationalrally/

You just never know where you'll find a Morry!

Thanks to Geoff Shepherd for this article:



The last place I would expect to see a moggy is in the Dodecanese Islands. This beautiful Van was restored on the island by the local Electrician that has had the van in his family since new. These car featured in a yearly town celebration and parade. The vehicle is here on the island of Samos in the town of Pythagorion the birth place of Pythagoras. I have been away again for a couple of weeks touring the Greek Islands beaching and boating

Geoff Shepherd
Member no 2

TRADING PLACES

email editor@morrisminevic.org.au

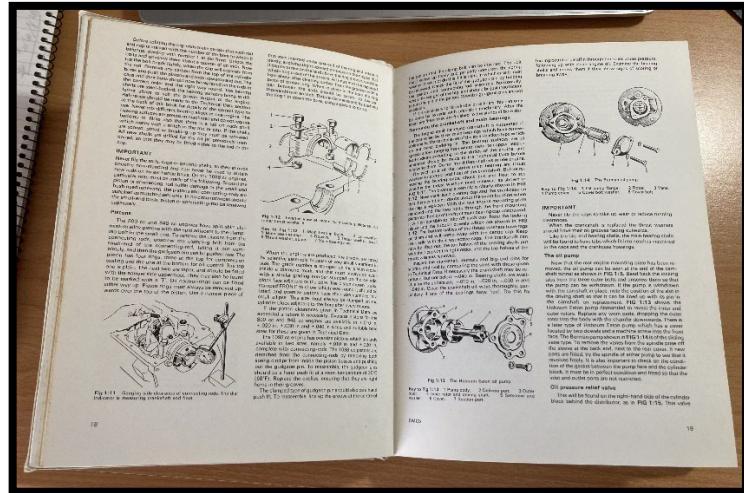
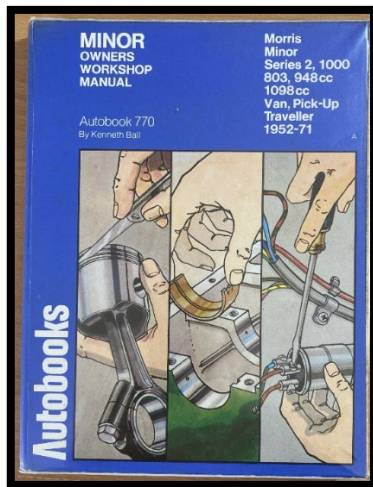
or

Contact: Barb Went 0409 002 531

When submitting items for the trading places would you kindly include your contact details so that anyone interested in your item can contact you. Thank you. Your advertisements will appear for 3 months running. After that date it will be removed unless you request it to be re-listed. If you do sell your advertised item, would you kindly notify the editor via email editor@morrisminevic.org.au or phone 0409 002 531 so your advertisement can be removed from the Generator.

Workshop Manual for Sale

2.



I have a Morris Minor workshop manual that I wish to sell. The book is in near mint condition so I thought that I would initially offer it to Morris Minor Club members. The figure that I had in mind is \$70.

I am in Glen Iris. My phone number is 0409 408 911. Regards, Peter.

OTHER EVENTS OF INTEREST



The Auto Classico is back and better than before. **Sunday August 18th 2024 from 10am to 3.00 pm** at the Maling Road shopping precinct. Cars and bikes on display. Over 280+ classic and modern exotics on display. Family friendly activities.



Firstly, I would like to thank everyone for my Club Person of the Year Award. I am very proud of the Club and the award means such a lot to me. Thank you!

The July Christmas in July Run was an outstanding success thanks to everyone who made it possible and in particular, thank you to Wayne Cunningham for his exceptional organizational skills.

I know some of you have fantastic stories that you would like to share and I for one want to read them, so please send them along to me with any pictures and I will make sure they get in to the Generator for everyone to enjoy.

Hoping you are all staying warm and healthy.

Barb Went

Editor

editor@morrisminorvic.org.au